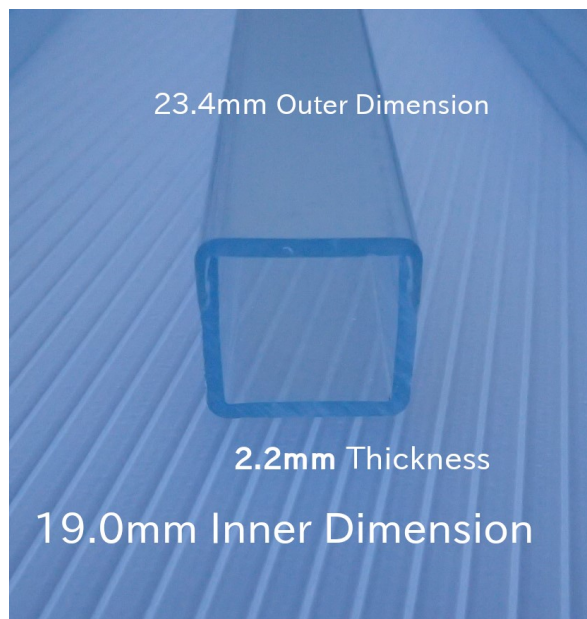
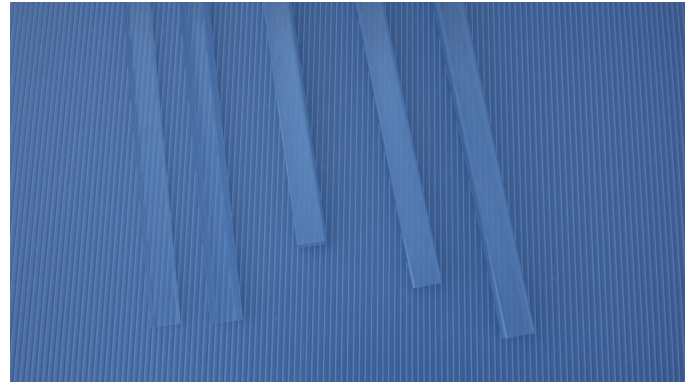
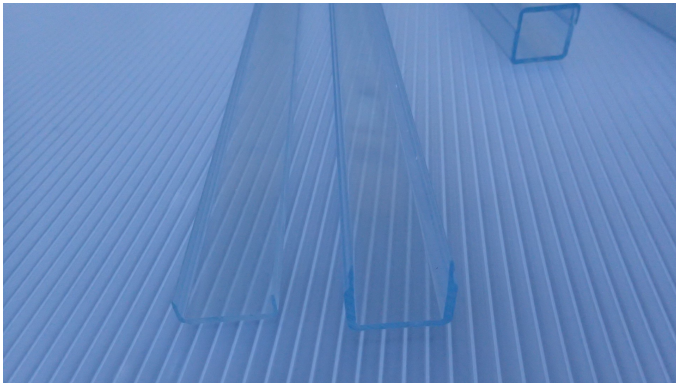


Subsampled U-channel

for paleomagnetic measurement (IODP certified)



Size in Pair: 23.4 X 23.4 [mm] Outer
19.0 X 19.0 [mm] Inner

Model Code: **SUC-* S**

Please choose the channel length * from ①110 = 1,100 [mm],
②150 = 1,500 [mm],
③ XXX = Custom length up to 1,500 mm

Model Code Example for the pair of tray and lid:

① SUC-110S ② SUC-150S ③ SUC-XXXS

Paleomagnetic investigations are primarily designed to determine the characteristic remanence directions. The SUC series u-channels are suitable for use in magnetostratigraphic and structural studies of core samples.

STEYNES Ltd.

<http://steynes.com>

Room No. 1105, 493, Shin-Matsudo 1-chome,
Matsudo City, Chiba 270-0034 JAPAN
Tel: +81-47-393-8550 Fax: +81-47-393-8551

